

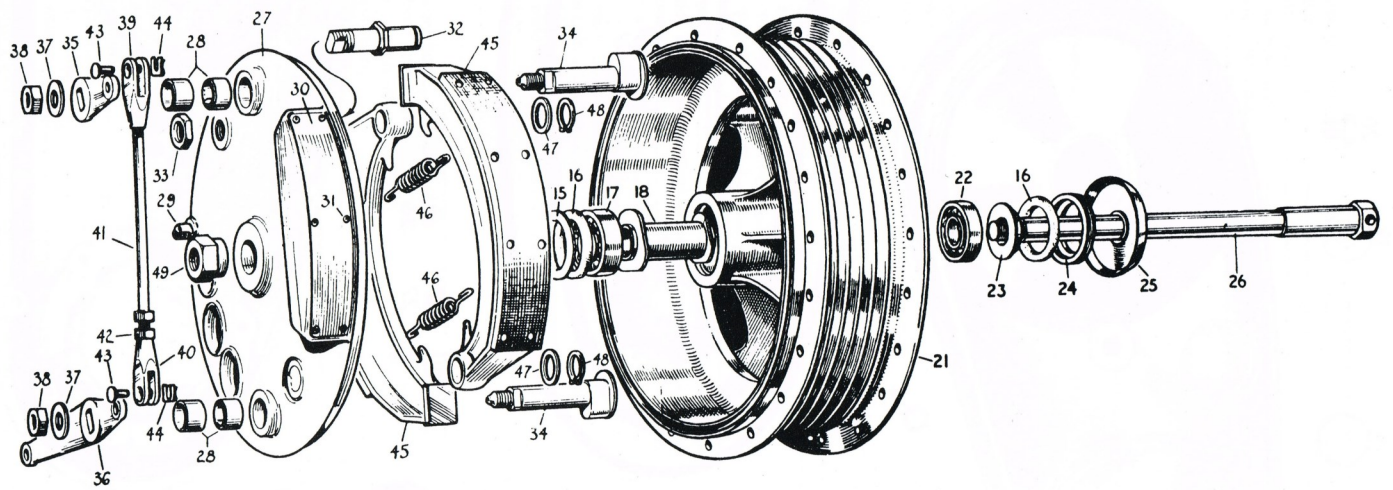


We are the only supplier of Commando & Dominator parts using the original factory drawings. Our products are mostly made in England and to original specification. We also offer Norton Rotary spares, factory service manuals and literature for **NORTON** and **TRIUMPH** motorcycles.

INSIST ON GENUINE FACTORY PARTS PACKAGED WITH THIS LOGO



NORTON COMMANDO FRONT WHEEL (drum brake 1968 to 1969)



Front Wheel (drum type) 1968 to 1969



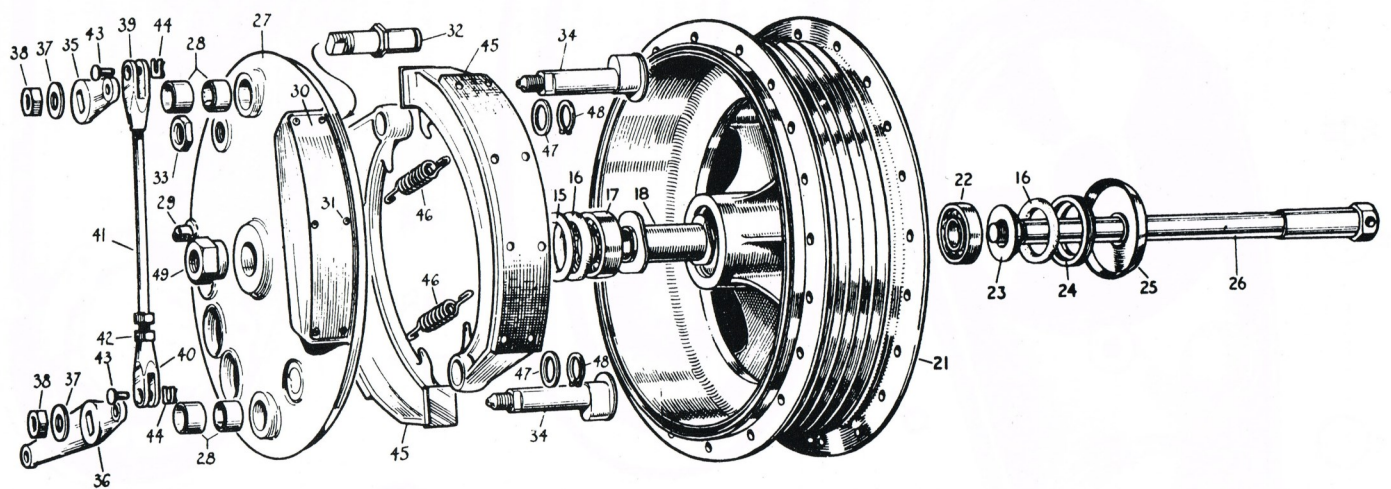


We are the only supplier of Commando & Dominator parts using the original factory drawings. Our products are mostly made in England and to original specification. We also offer Norton Rotary spares, factory service manuals and literature for **NORTON** and **TRIUMPH** motorcycles.

INSIST ON GENUINE FACTORY PARTS PACKAGED WITH THIS LOGO



NORTON COMMANDO FRONT WHEEL (drum brake 1968 to 1969)



Front Wheel (drum type) 1968 to 1969




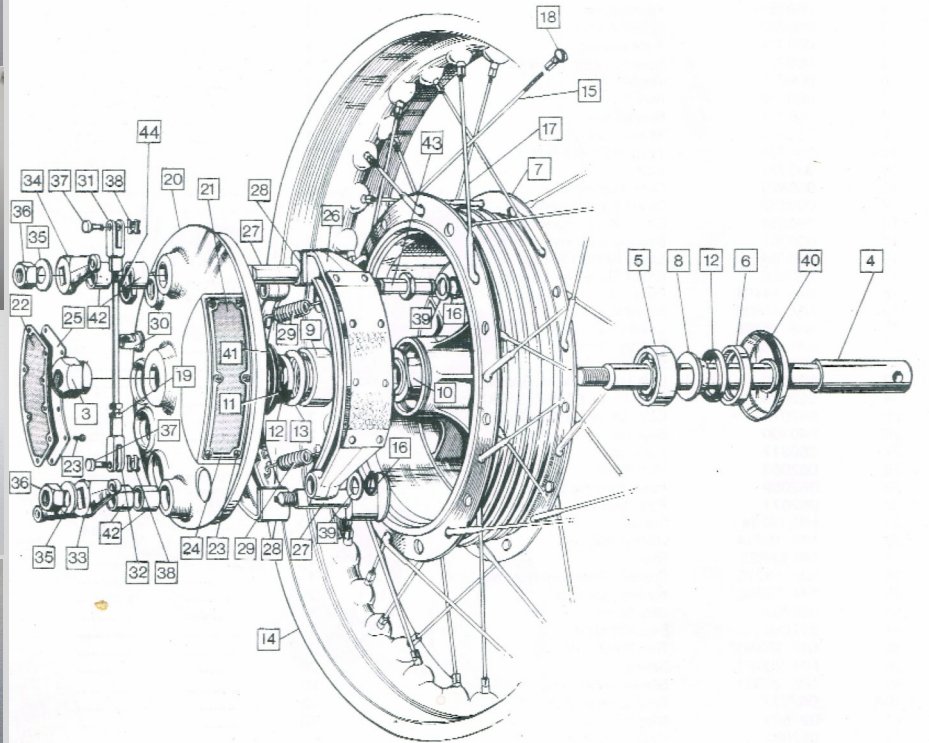






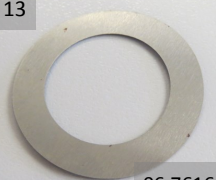








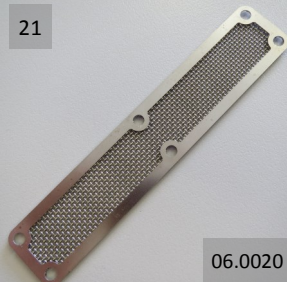
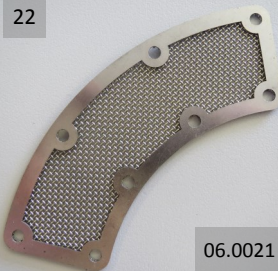


We are the only supplier of Commando & Dominator parts using the original factory drawings. Our products are mostly made in England and to original specification. We also offer Norton Rotary spares, factory service manuals and literature for **NORTON** and **TRIUMPH** motorcycles.

INSIST ON GENUINE FACTORY PARTS PACKAGED WITH THIS LOGO



NORTON COMMANDO FRONT WHEEL (drum brake 1970 to 1971)

<p>3</p>  <p>06.0361</p>	<p>FRONT WHEEL COMPLETE 1 FRONT WHEEL BARE 2</p>  <p>Front Wheel (drum type) 1970 to 1971</p>	<p>10</p>  <p>06.7748</p>
<p>4</p>  <p>06.0362</p>		<p>11</p>  <p>06.7752</p>
<p>5</p>  <p>04.0100</p>		<p>12</p>  <p>06.7614</p>
<p>6</p>  <p>06.0363</p>		<p>13</p>  <p>06.7616</p>
<p>7</p> <p>Not Currently Available</p> <p>06.0364</p>	<p>17</p>  <p>06.2526</p>	<p>14</p>  <p>06.7712</p>
<p>8</p>  <p>06.7674</p>	<p>18</p>  <p>02.1693</p>	<p>15</p>  <p>06.2525</p>
<p>9</p>  <p>06.7688</p>	<p>20</p>  <p>06.3280</p>	<p>16</p>  <p>01.9512</p>
<p>21</p>  <p>06.0020</p>	<p>22</p>  <p>06.0021</p>	





We are the only supplier of Commando & Dominator parts using the original factory drawings. Our products are mostly made in England and to original specification. We also offer Norton Rotary spares, factory service manuals and literature for **NORTON** and **TRIUMPH** motorcycles.


INSIST ON GENUINE FACTORY PARTS PACKAGED WITH THIS LOGO





NORTON COMMANDO FRONT WHEEL (drum brake 1970 to 1971)


23

06.0787


24

06.0789

25

06.0845

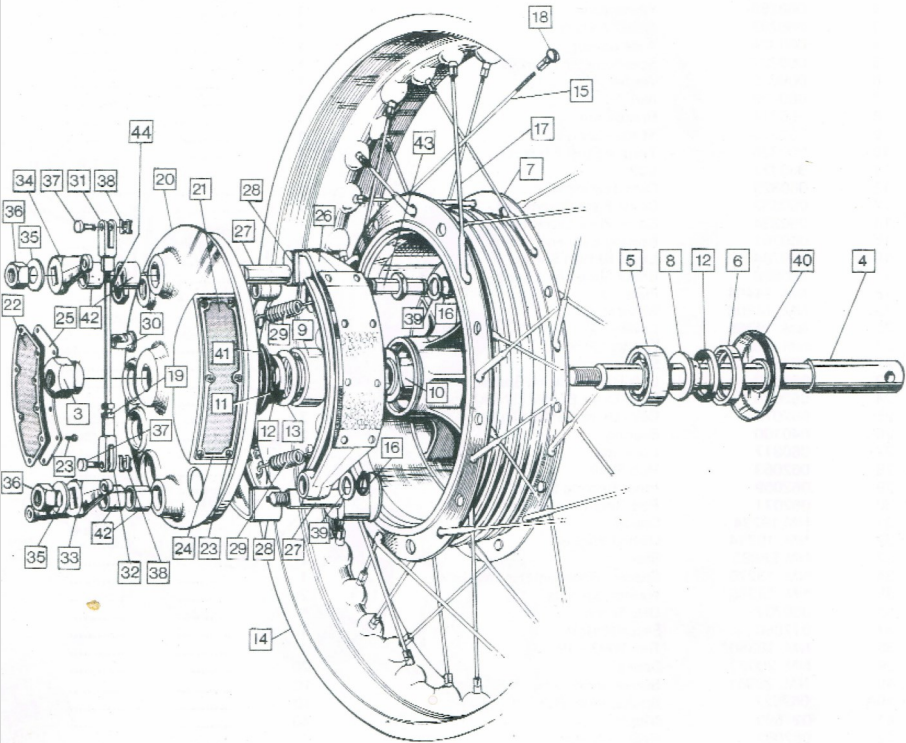
26

06.0006

27

06.0009


28

06.0013


29

06.0014


FRONT WHEEL COMPLETE 1
FRONT WHEEL BARE 2





Front Wheel (drum type) 1970 to 1971


30

06.0015

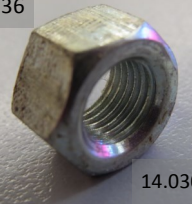
31

06.0018


32

06.0019


33

06.0025


34

06.0027


35

60.2322


36

14.0303


37

06.0552

38

06.0553

39

NM21394

40

NM18551

41

06.7608

42

06.7750



We are the only supplier of Commando & Dominator parts using the original factory drawings. Our products are mostly made in England and to original specification. We also offer Norton Rotary spares, factory service manuals and literature for **NORTON** and **TRIUMPH** motorcycles.

INSIST ON GENUINE FACTORY PARTS PACKAGED WITH THIS LOGO



NORTON COMMANDO FRONT WHEEL (drum brake 1972 to 1973)

Rim and Hub Assembly 1
Brake Cover Plate Complete 18

Front Wheel (drum type) 1972 to 1973

2 06.0361
3 06.0362
4 04.0100
5 06.0363
6 Not Currently Available 06.1577
7 06.7674
8 06.7688
9 06.7748
10 06.7752
11 06.7614
12 06.7616
13 06.7712
14 06.2525
15 06.2526
16 06.2595
17 14.0301
18 06.3281
19 06.3280
20 06.0020
21 06.0021



We are the only supplier of Commando & Dominator parts using the original factory drawings. Our products are mostly made in England and to original specification. We also offer Norton Rotary spares, factory service manuals and literature for **NORTON** and **TRIUMPH** motorcycles.

INSIST ON GENUINE FACTORY PARTS PACKAGED WITH THIS LOGO



NORTON COMMANDO FRONT WHEEL (drum brake 1972 to 1973)

Rim and Hub Assembly 1
Brake Cover Plate Complete 18

Front Wheel (drum type) 1972 to 1973

22 06.0787

23 06.0789

24 06.0845

25 06.0006

26 06.3272

27 06.0013

28 06.0014

29 06.0015

30 06.0018

31 06.0019

32 06.0025

33 06.0027

34 60.2322

35 14.0303

36 06.0552

37 06.0553

38 NM18551

39 06.7608

40 06.7750

41 06.3273

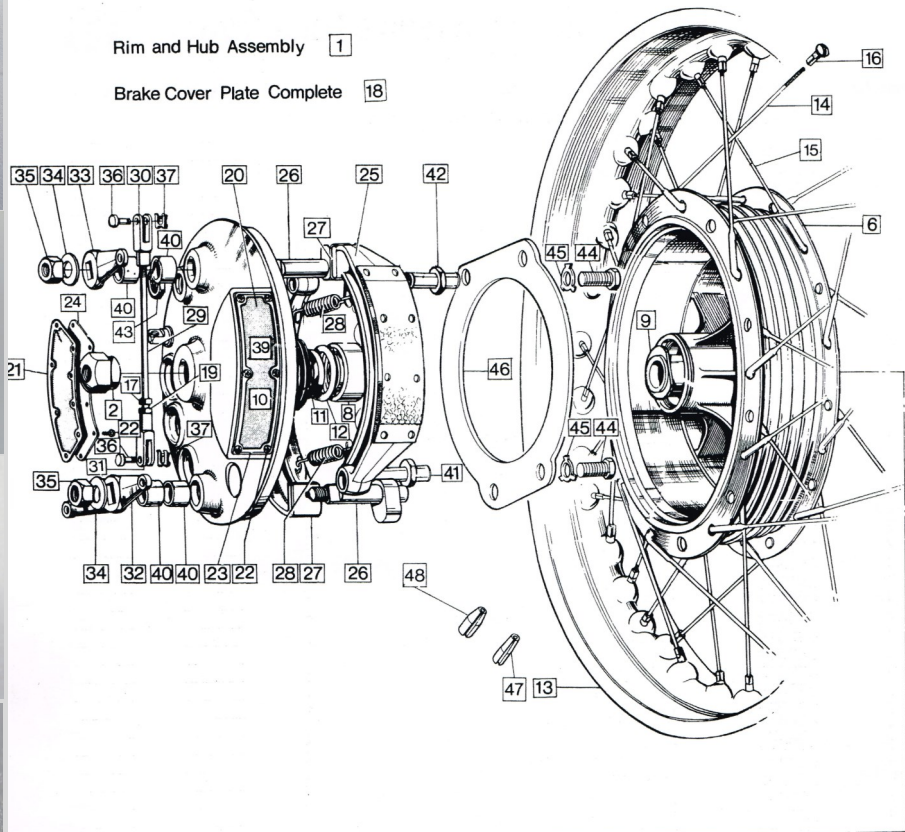
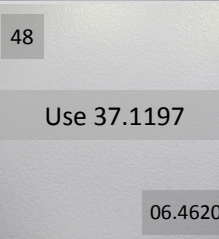
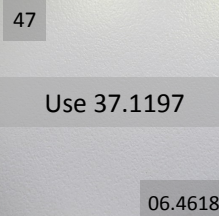
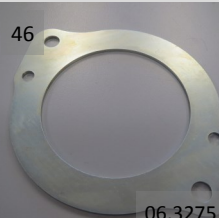


We are the only supplier of Commando & Dominator parts using the original factory drawings. Our products are mostly made in England and to original specification. We also offer Norton Rotary spares, factory service manuals and literature for **NORTON** and **TRIUMPH** motorcycles.

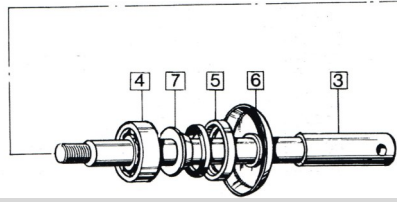
INSIST ON GENUINE FACTORY PARTS PACKAGED WITH THIS LOGO



NORTON COMMANDO FRONT WHEEL (drum brake 1972 to 1973)



Front Wheel (drum type) 1972 to 1973








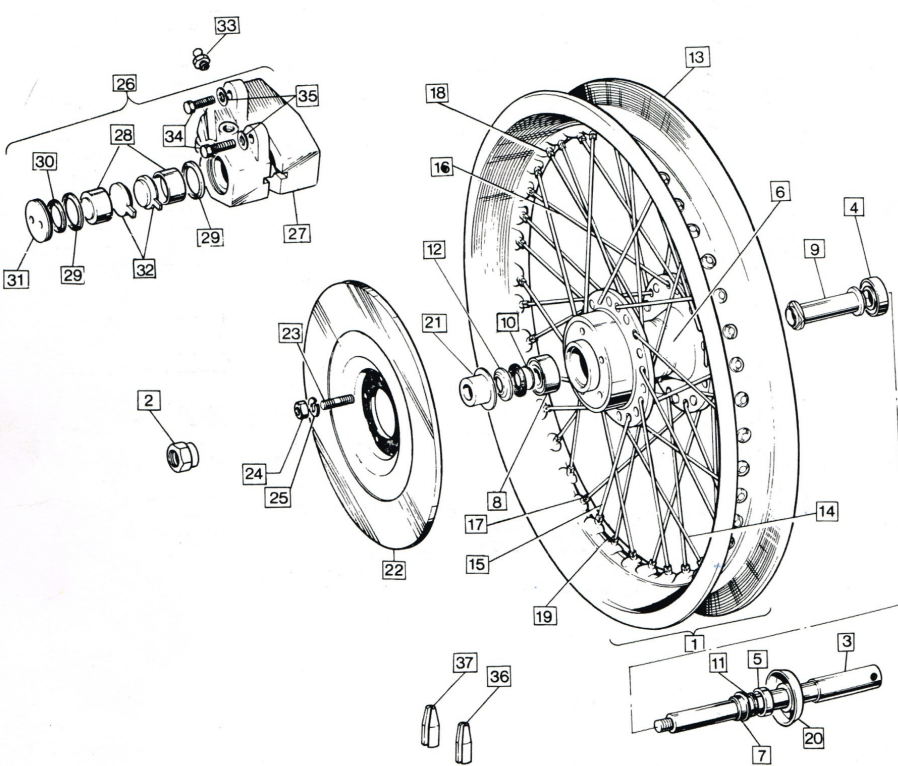



















We are the only supplier of Commando & Dominator parts using the original factory drawings. Our products are mostly made in England and to original specification. We also offer Norton Rotary spares, factory service manuals and literature for **NORTON** and **TRIUMPH** motorcycles.

INSIST ON GENUINE FACTORY PARTS PACKAGED WITH THIS LOGO



NORTON COMMANDO FRONT WHEEL (disc type 1972 to 1974)

<p>2</p>  <p>06.0361</p>	<p>3</p>  <p>06.0362</p>	<p>4</p> <p>04.0100</p> 	<p>5</p>  <p>06.0363</p>	<p>6</p> <p>Currently not available</p> <p>06.2867</p>
<p>7</p>  <p>06.3919</p>	 <p>Front wheel (disc type) 1972 to 1974</p>			<p>13</p>  <p>06.1951</p>
<p>8</p>  <p>06.7688</p>				<p>14</p>  <p>06.3924</p>
<p>9</p>  <p>06.1955</p>				<p>15</p>  <p>06.3925</p>
<p>10</p>  <p>06.2071</p>				<p>16</p>  <p>06.3922</p>
<p>11</p>  <p>06.7614</p>				<p>17</p>  <p>06.3923</p>
<p>19</p>  <p>06.3207</p>	<p>20</p>  <p>06.3918</p>	<p>21</p>  <p>06.2448</p>	<p>18</p>  <p>06.2595</p>	
<p>12</p>  <p>06.7751</p>	<p>22</p>  <p>06.1885</p>	<p>23</p>  <p>06.1960</p>	<p>24</p>  <p>14.0302</p>	

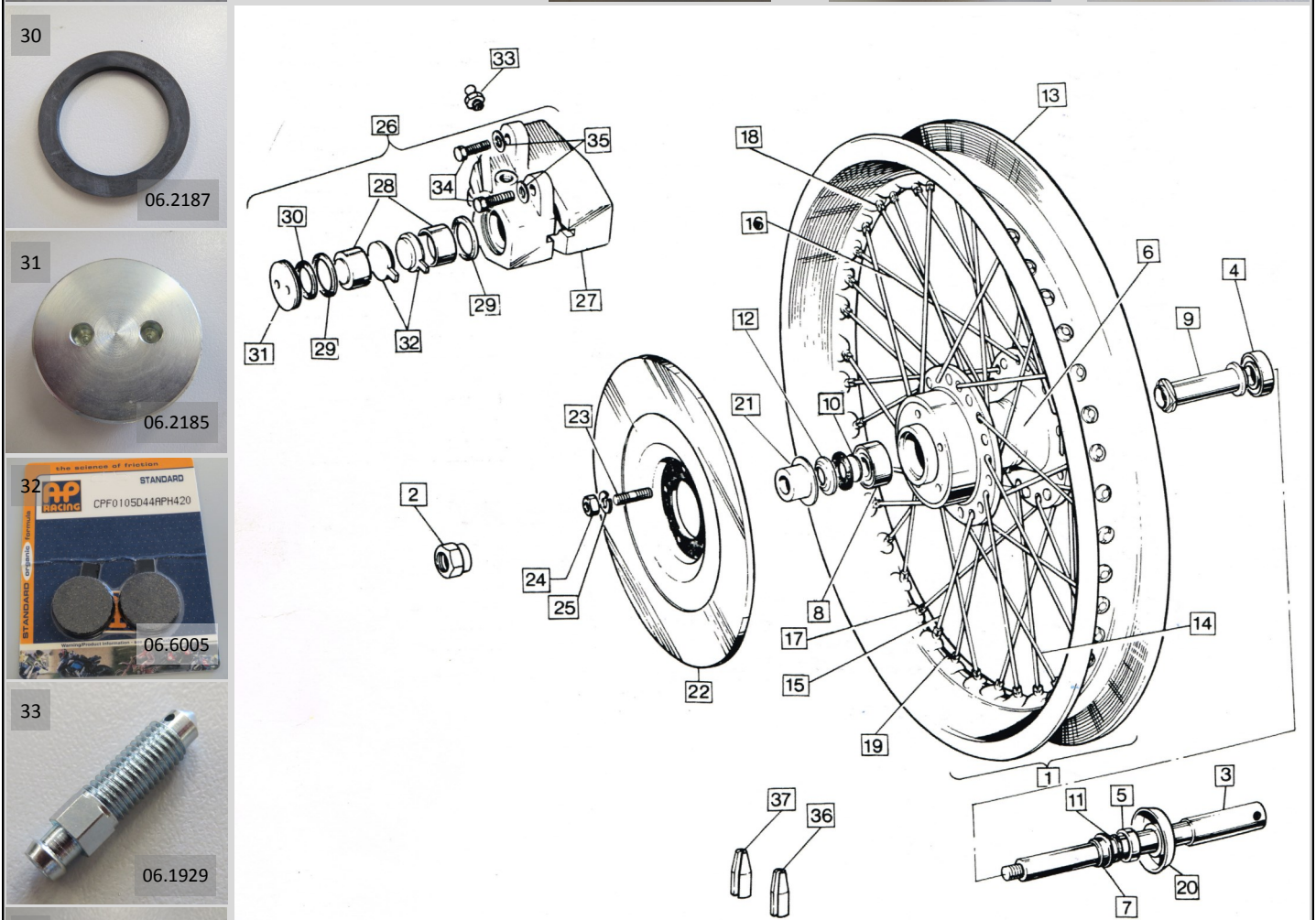


We are the only supplier of Commando & Dominator parts using the original factory drawings. Our products are mostly made in England and to original specification. We also offer Norton Rotary spares, factory service manuals and literature for **NORTON** and **TRIUMPH** motorcycles.

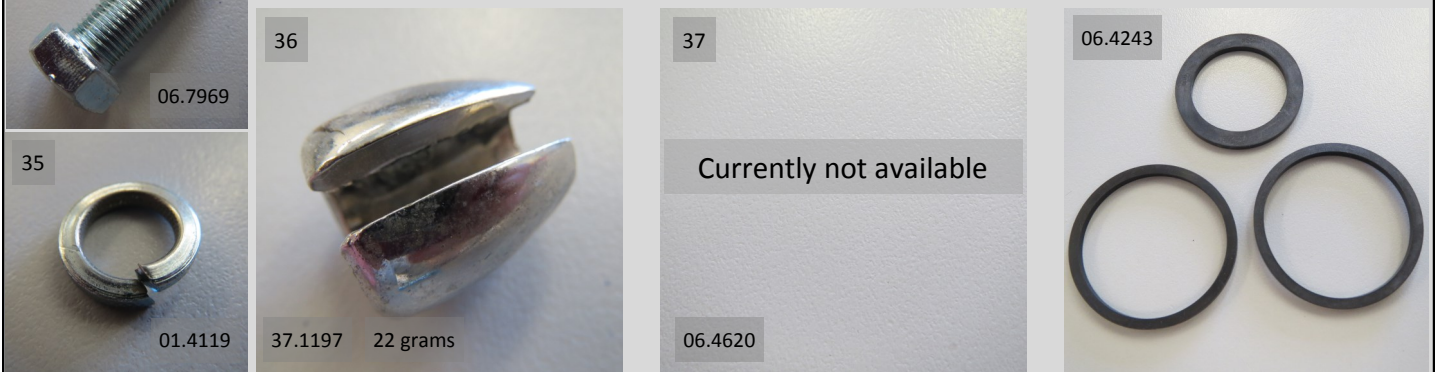
INSIST ON GENUINE FACTORY PARTS PACKAGED WITH THIS LOGO



NORTON COMMANDO FRONT WHEEL (disc type 1972 to 1974)



Front wheel (disc type) 1972 to 1974



Currently not available



We are the only supplier of Commando & Dominator parts using the original factory drawings. Our products are mostly made in England and to original specification. We also offer Norton Rotary spares, factory service manuals and literature for **NORTON** and **TRIUMPH** motorcycles.

INSIST ON GENUINE FACTORY PARTS PACKAGED WITH THIS LOGO



NORTON COMMANDO FRONT WHEEL (disc type 1975 850Mk3)

36 Caliper Kit

Front wheel (disc type) 850 Mk3

2
Currently not available
06.6024

3
06.1951

4
06.3924

5
06.3925

6
06.3922

7
06.3923

8
06.2595

9
06.3207

10
06.0361

11
06.0362

12
06.5542

13
06.2090

14
06.1955

15
06.7688

16
06.2448

17
06.2071



We are the only supplier of Commando & Dominator parts using the original factory drawings. Our products are mostly made in England and to original specification. We also offer Norton Rotary spares, factory service manuals and literature for **NORTON** and **TRIUMPH** motorcycles.

INSIST ON GENUINE FACTORY PARTS PACKAGED WITH THIS LOGO



NORTON COMMANDO FRONT WHEEL (disc type 1975 850Mk3)

36 Caliper Kit

Front wheel (disc type) 850 Mk3

18 06.7614		28 06.2187
19 06.6034		29 06.2185
20 06.1885		30 06.6005
21 06.1960		31 06.1929
22 14.0302		32 06.7969
23 60.2418		33 01.4119
24 06.1926		34 37.1197
25 06.1927		35 37.1198
26 06.1896		36 06.4243
27 06.1930		37 06.3012